



VNE165 - VNY140

Rating Definition

Prime Power - VNE165

Rating corresponds to ISO Standard Power for continuous operation. It is applicable for supplying electrical power at variable load for an unlimited number of hours instead of commercially purchase power. A 10% overload capability for governing purpose is available for this rating .

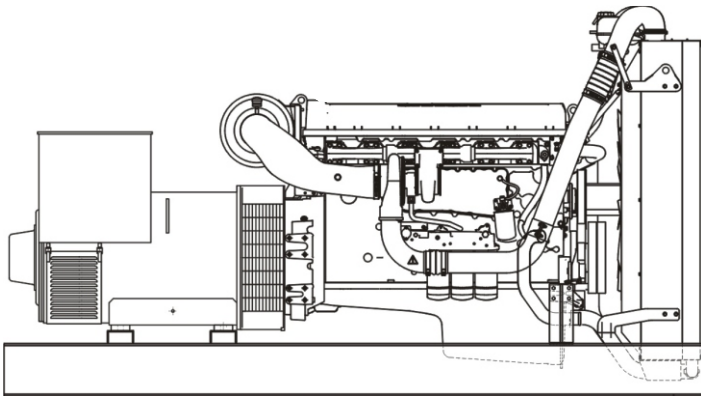
Standby Power - Model VNY140

Is applicable for supplying standby electrical power at variable load in areas with well establish electrical networks in the event of normal failure.

No overload capavility is available for this rating 1hp = 1kW-1.36

Note: the engine performance corresponds to ISO3046, BS5514 and DIN 6217.

Power output guaranteed within 0 to +2% att rated ambient conditions at delivery, Ratings are based on ISO8528.



Output Ratings				0.8 p.f
Frequency	Models	Voltage	kVA	kWe
50 Hz	VNE165	380-415V	152 (125/40 ris ϕ)	121
60 Hz	VNY140	440-220V	177 (163/27 ris ϕ)	142

Technical data		
Engine Model:	TAD731GE	
Number of Cylinders:	6 In-line	
Bore:mm (in)	108 (4.25)	
Stroke:mm (in)	130 (5.12)	
Displacementl_t(in³)	7.15 (436)	
Compression ratio:	18.0:1	
Performance	1500rpm-PRIME	1800rpm-Standby
With Fan kW(hp)	133 (180)	154 (210)
Lubrication system	1500rpm-PRIME	1800rpm-Standby
Oil consumptionl/h(gal/h)	0.10 (0.026)	0.10 (0.026)
Total oil incl filters(liter)	20	20
Fuel system	1500rpm-PRIME	1800rpm-Standby
100% load g/kWh(lb/hph)	215 (0.35)	217 (0.35)
Intake & exhaust system	1500rpm-PRIME	1800rpm-Standby
Air consum.m^3/min (cfm)	9.86 (348)	13.33 (471)
Max.restrictionkP (In wc)	3.5 (14.1)	3.5 (14.1)
Heat rejection to exhaustW (BTU/min)	117 (6654)	135 (7677)
Exhaust gas temp$^{\circ}C$ ($^{\circ}F$)	520 (968)	480 (896)
Max.back-pressurekP (In wc)	5 (20.1)	7 (28.1)
Exhaust gas flowm^3/min (cfm)	27.5 (971)	34.2 (1208)
Cooling system	1500rpm-PRIME	1800rpm-Standby
Heat rejection rad from engine: kW (BTU/min)	14 (796)	16 (910)
Fan consumptionkW(hp)	5 (7)	8.7 (12)
Generating Set Model:	VNE165	VNY140
Alternator Model	UCI274F	UCI274D
Insulation System:	Class H	
Control System:	Self exited	
AVR	SX460	

Dimensions and Weights			
Length:cm	Width cm	Heigth:cm	VNE165
255	86	150	Dry: 1364 kgs Wet: 1408 kgs
			VNY140
			Dry: 1326 kgs Wet: 1374 kgs

Inyen, S.A. de C.V.
carlos.vargas@inyen.com.mx
ventas@inyen.com.mx
ventas3@inyen.com.mx